

<ul style="list-style-type: none"> • BODY—PARTS AND PROCEDURE TO REDUCE THE POTENTIAL OF FUEL TANK PUNCTURES DURING RARE AND EXTREMELY HIGH-SPEED REAR IMPACTS • FUEL— PARTS AND PROCEDURE TO REDUCE THE POTENTIAL OF FUEL TANK PUNCTURES DURING RARE AND EXTREMELY HIGH-SPEED REAR IMPACTS 	<p align="center">Article No. 01-21-14</p>
---	---

FORD: 1992-2001 CROWN VICTORIA
LINCOLN: 1992-2001 TOWN CAR
MERCURY: 1992-2001 GRAND MARQUIS

ISSUE

This article is being issued to provide Service Parts and a Service Procedure to further reduce the unlikely possibility of a fuel tank puncture during an extremely high-speed rear impact in certain vehicle applications. Some Police agencies have indicated that their vehicles may stop along high-speed roads - which is prohibited by law except in emergency situations - and may thereby become exposed to extremely high-speed rear impacts, typically by drunk drivers.

Ford corporate guideline tests, at speeds 20 mph above government requirements, demonstrate excellent fuel tank integrity in these vehicles. Because of the nature of their use, some Police vehicles in certain applications may be exposed to extremely high-speed rear impacts with closing speeds above 80 mph. Investigation of several police vehicles involved in extreme high-speed rear impacts has identified a potential cause of the fuel tank puncture in at least one of these impacts.

ACTION

Recommended for vehicles exposed to extremely high-speed rear impacts. Refer to the following Service Procedure for details.

SERVICE PROCEDURE

1. On 1992-1997 vehicles, replace Park Brake Cable to Axle attaching hex head bolt part N806900-S2 with round-headed fastener part W706024-S427. Model year 1998 and later vehicles are of a different design and do not use this bolt (Figure 1).

2. On 1992-2001 vehicles, use a die grinder or electric grinder with suitable carbide or grinding wheel to remove the 4 mm high by 6 mm wide tab which protrudes down from one flange of the rear stabilizer bar axle attachment "U" bracket. There is a "U" bracket at each end of the center section of the rear stabilizer bar (Figure 2).

The "U" brackets do not need to be removed from the vehicle.

The tab should be ground until it is flush with the contour of the flange.

PART NUMBER	PART NAME
W706024-S427	Bolt - Round Headed Fastener

OTHER APPLICABLE ARTICLES: NONE
WARRANTY STATUS: Eligible Under The Provisions Of Bumper To Bumper Warranty Coverage

OPERATION	DESCRIPTION	TIME
012114A	Replace Park Brake Cable To Axle Attaching Hex Head Fastener With Round Headed Fastener, Then Grind Tab From Both U-Brackets On Rear Stabilizer Bar 1992-1997	0.4 Hr.
012114B	Grind Tab From Both U-Brackets On Rear Stabilizer Bar 1992-2001	0.2 Hr.

CRUZ
F 030541

1271

Article No. 01-21-14 Cont'd.

DEALER CODING

BASIC PART NO.

4A047

OASIS CODES: 111000, 404000, 509000

CONDITION

CODE

42

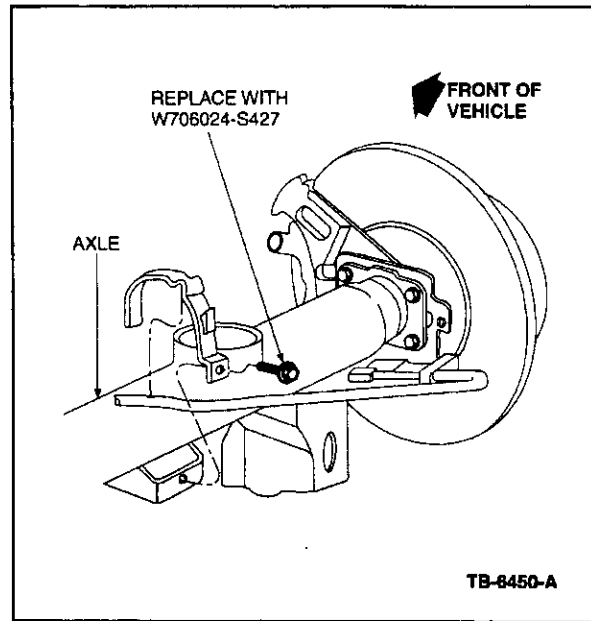


Figure 1 - Article 01-21-14

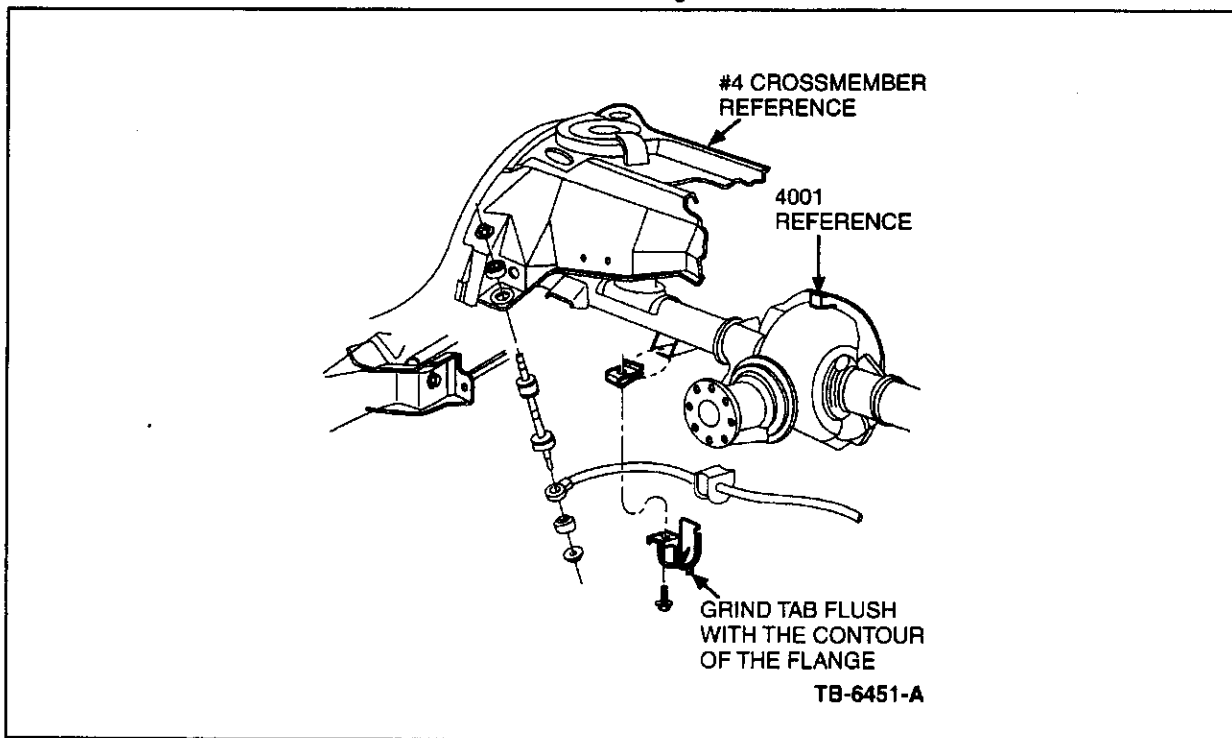


Figure 2 - Article 01-21-14